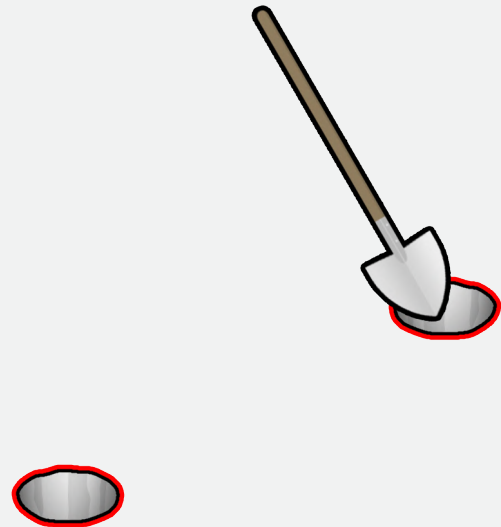


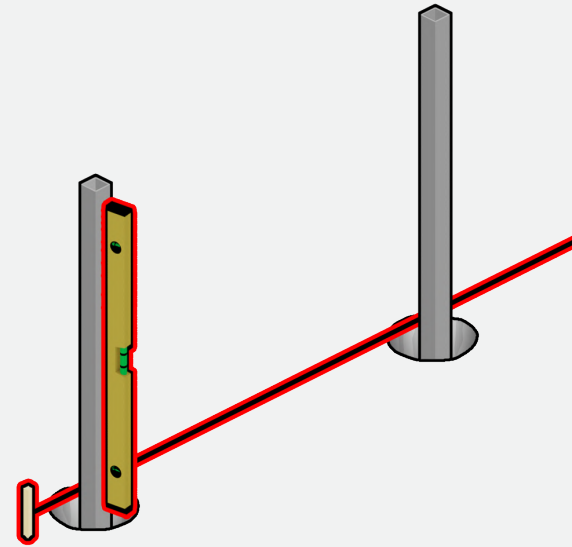
Dig **Holes 600mm** Deep

1



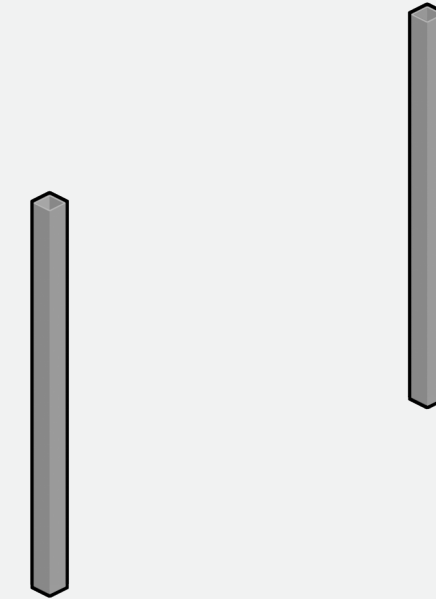
Align **Steel Post / SmartPost** in hole using a **level** and **builders line**  
If using a **SmartPost**, allow the top of the post to be 100mm above the expected height of the fence for fitting the **Cap**

2



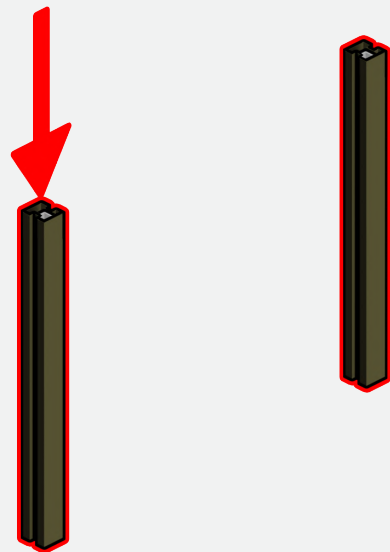
Pour **PostMix** to manufacturers specifications and allow to set

3



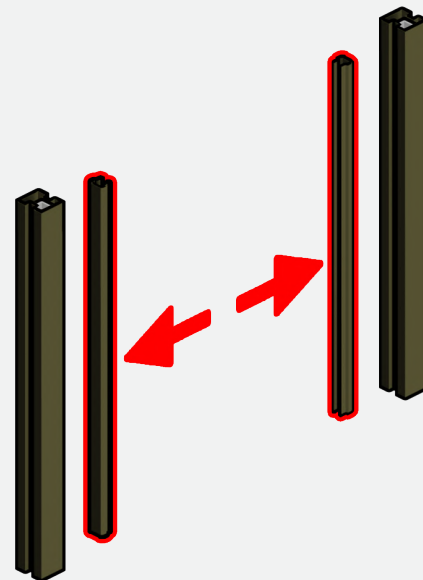
Slide down **Post Cover** (where applicable) Allow **100mm** below ground level and **100mm** over the fence height to allow for the cap

4



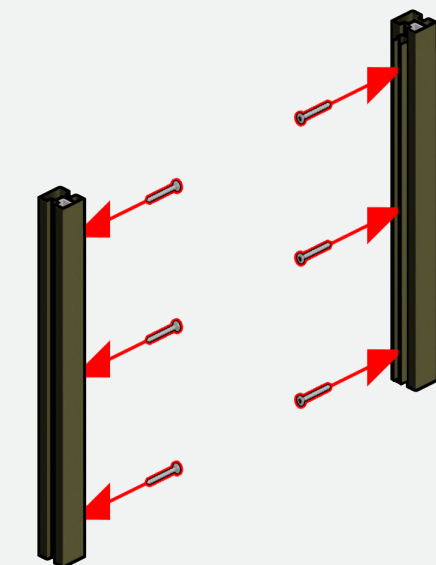
Insert **Channel Adapters** to height of fence **100mm** from the top

5



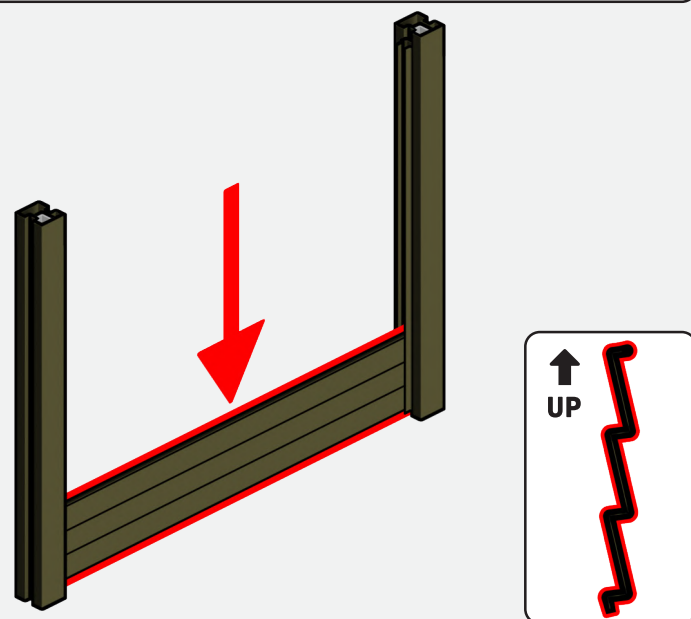
Pre-drill **3 holes** through Channel Adapters into post with **4mm** drill bit and secure using **Screws**

6



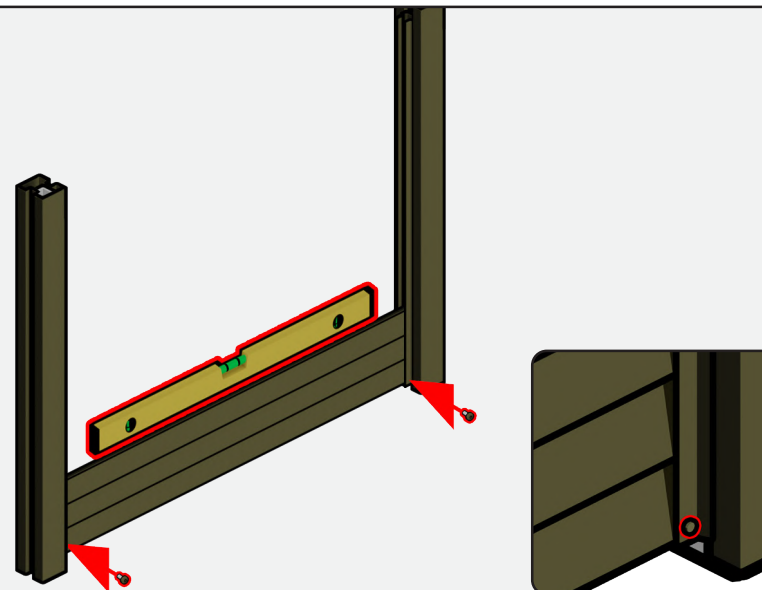
Insert first **Panel** from the top down

7



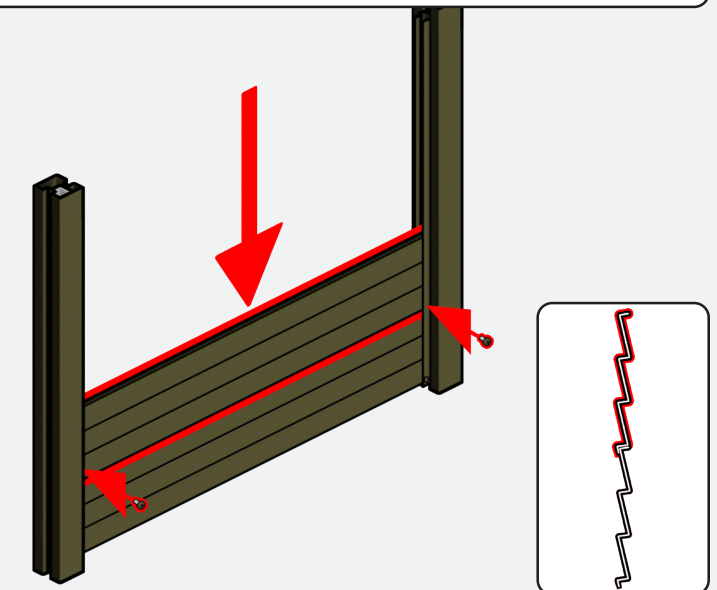
Secure by fixing a **Screw** through the **Channel Adapter** into the Bottom corners of the **Panel** ensuring the panel is level

8



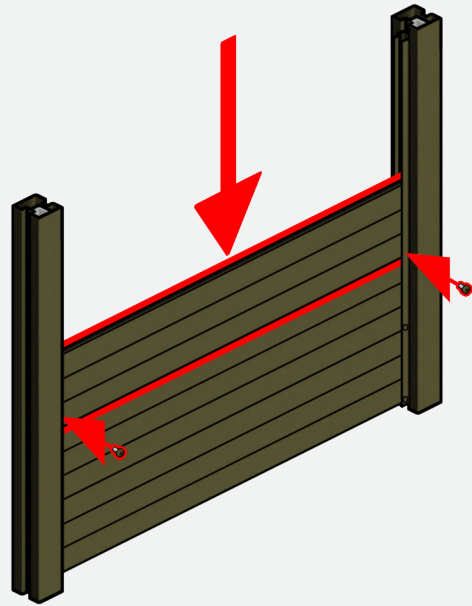
Insert the next **Panel** above, overlapping behind the previous panel. Secure with **2 Screws**

9



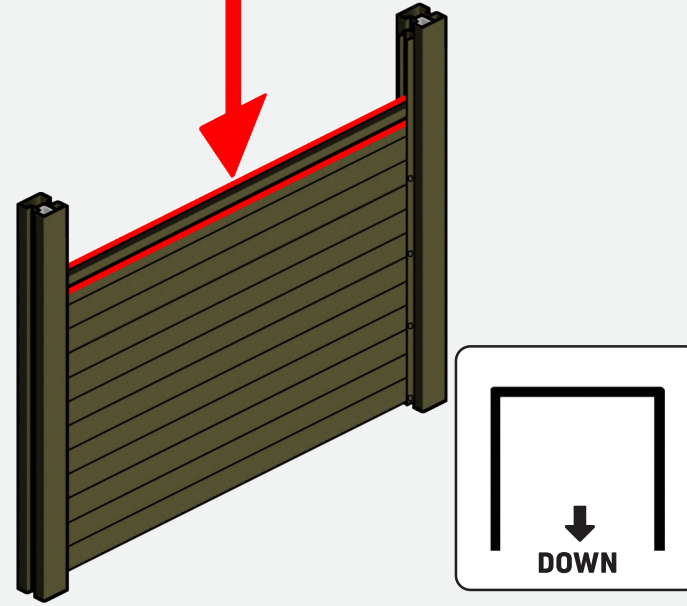
Continue inserting **Panels** and securing with **Screws**

10



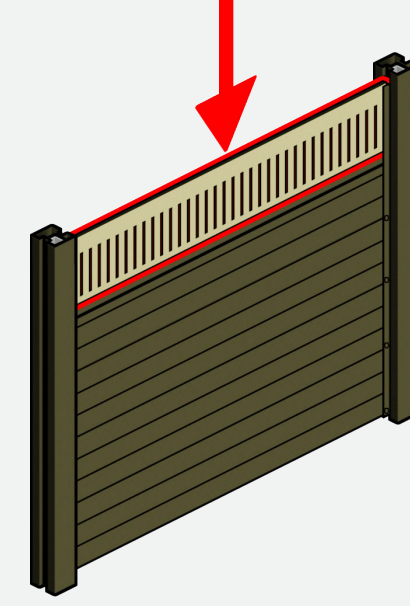
(IF USING TRELLIS) Insert a **Finishing Rail** into the **Channel Adapters**

11



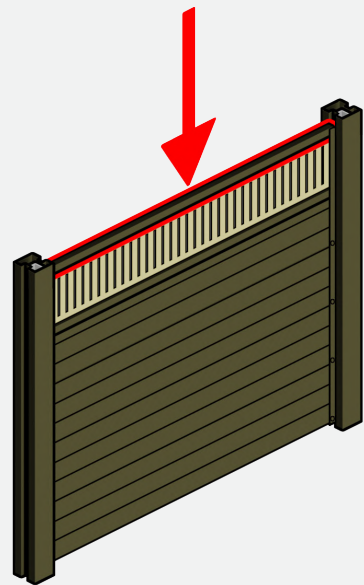
(OPTIONAL) Insert **Trellis** into **Channel Adapters**

12



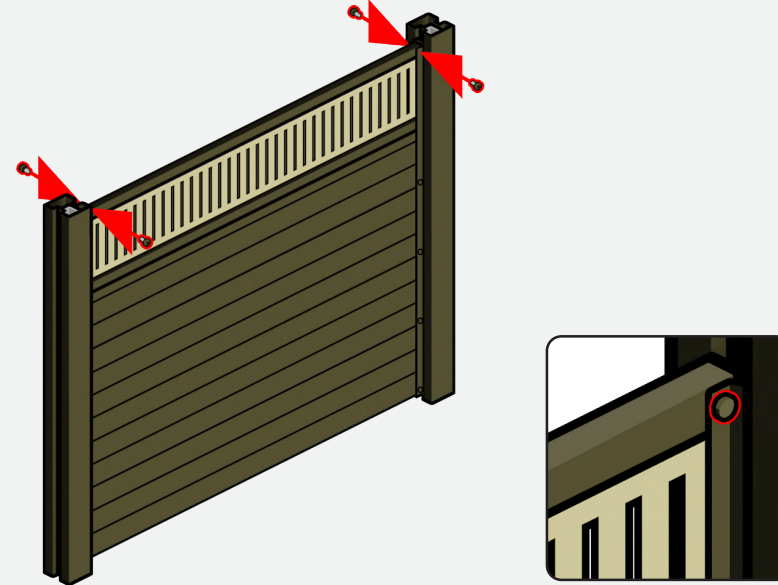
Insert **Finishing Rail** Inside the **Channel Adapters**, Above the **Top Panel**

13



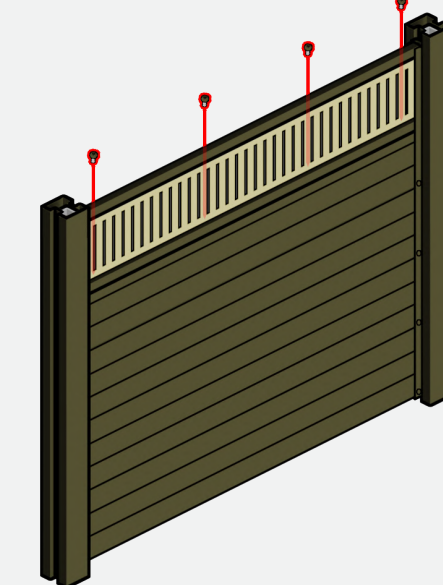
Secure the **Finishing Rail** using **4 Screws** through the **Channel Adapters**

14



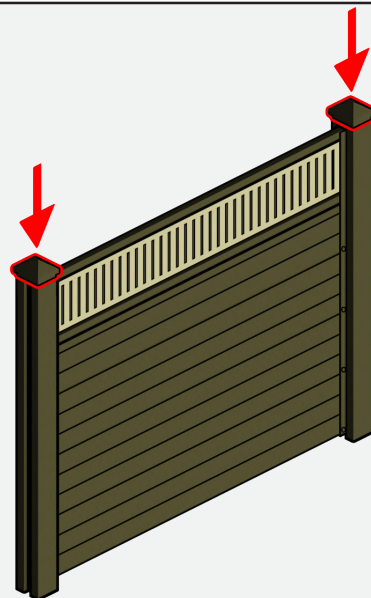
Secure the **Trellis** using **4 Screws** at the back

14



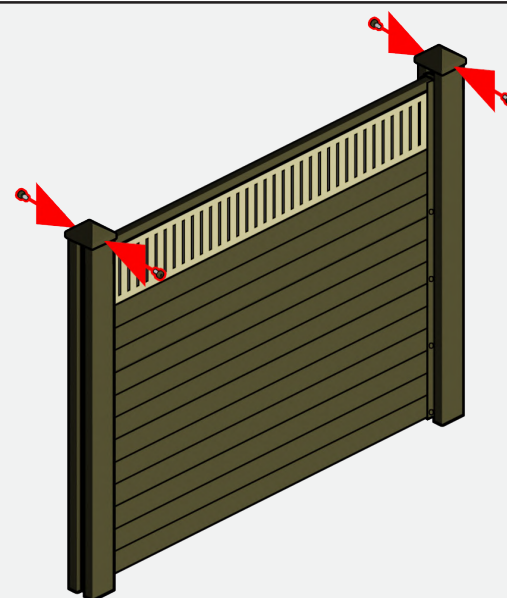
Attach **Post Caps** to the top of the **Posts**

16

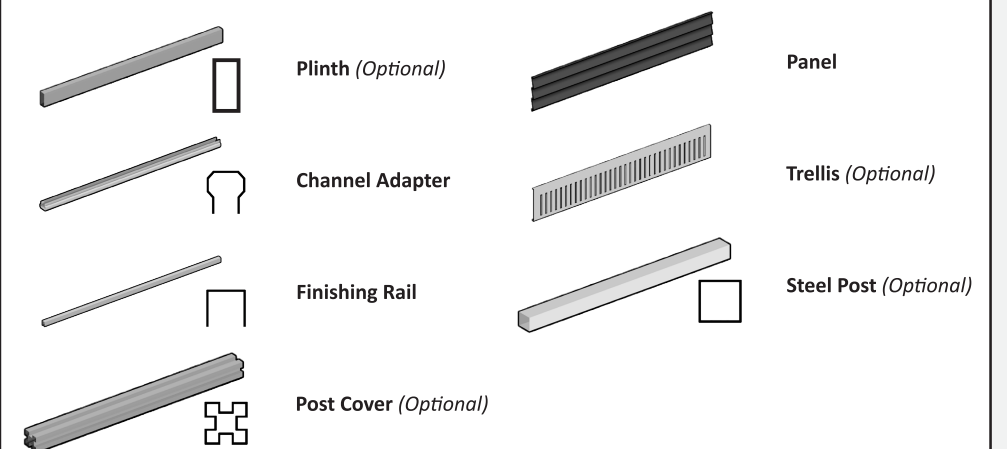


Secure the **Post Caps** in place with **2 Screws**

17



Parts List



\*Wash off all filings and shavings with water after cutting