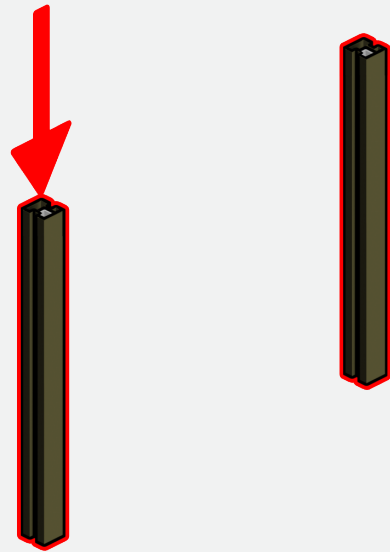


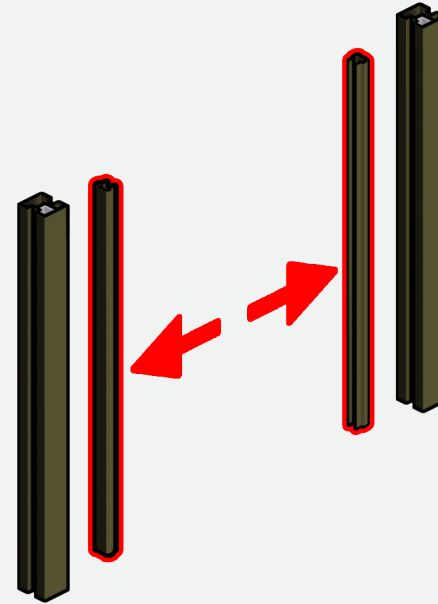
Slide down **Post Cover** (where applicable) Allow **100mm** below ground level and **100mm** over the fence height to allow for the cap

1



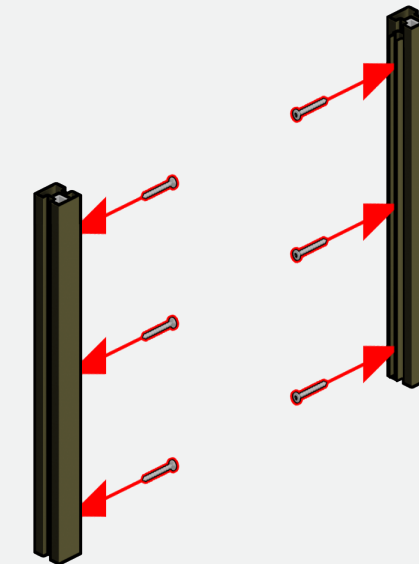
Insert **Channel Adapters** to height of fence **100mm** from the top

2



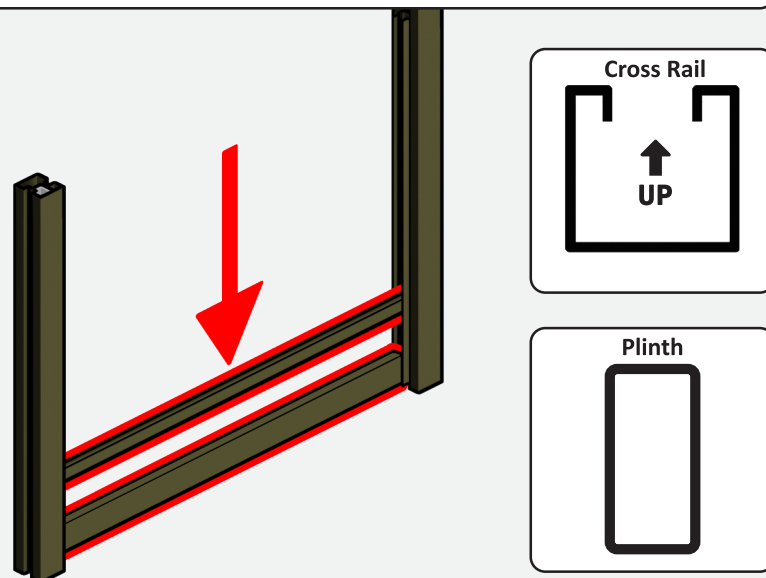
Pre-drill **3 holes** through Channel Adapters into post with **4mm** drill bit and secure using **Screws**

3



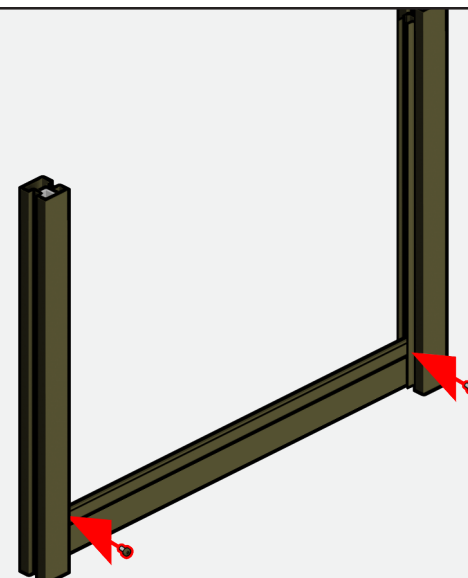
Slide the *Optional Plinth* followed by the **Cross Rail** into the **Channel Adapters** horizontally

4



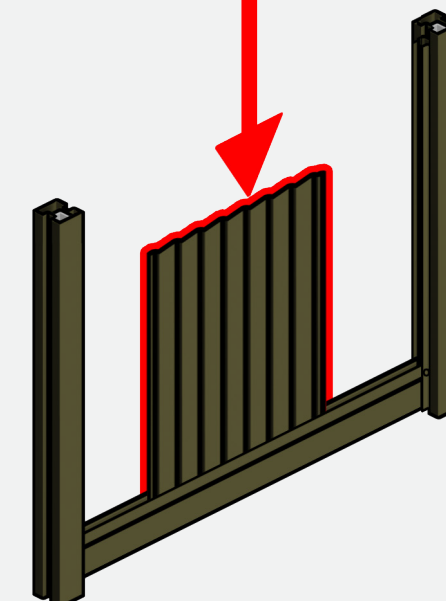
Secure by fixing a **Screw** through the **Channel Adapter** into the **Bottom Rail** both sides ensuring that it is level

5



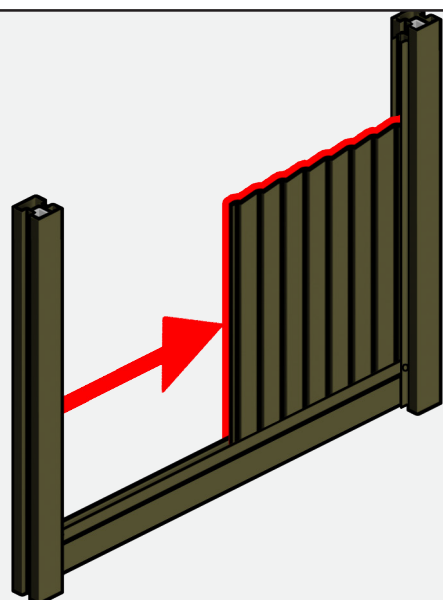
Insert the first **Panel** into the **Bottom Rail**

6



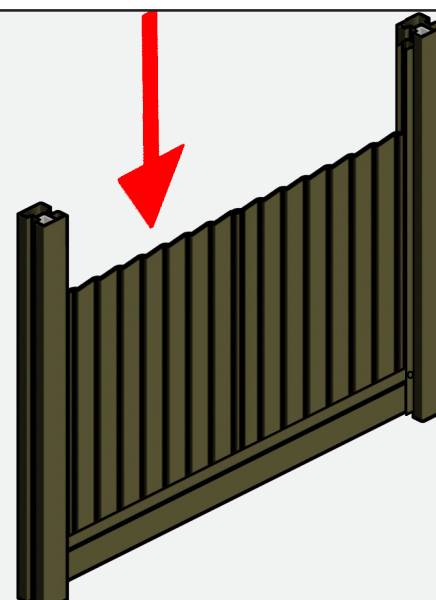
Slide the **Panel** to the side

7



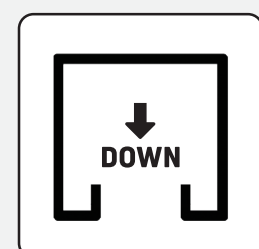
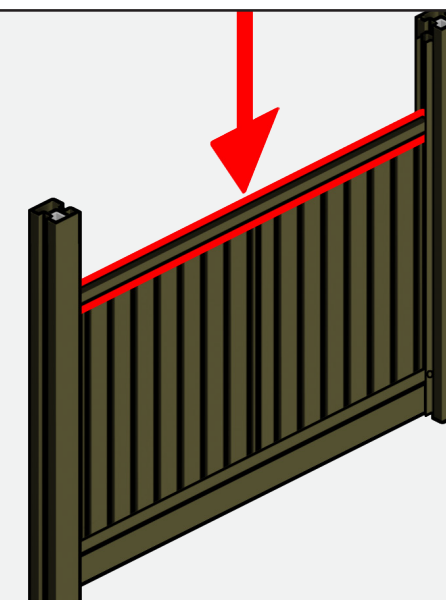
Insert the second **Panel** into the **Bottom Rail**

8



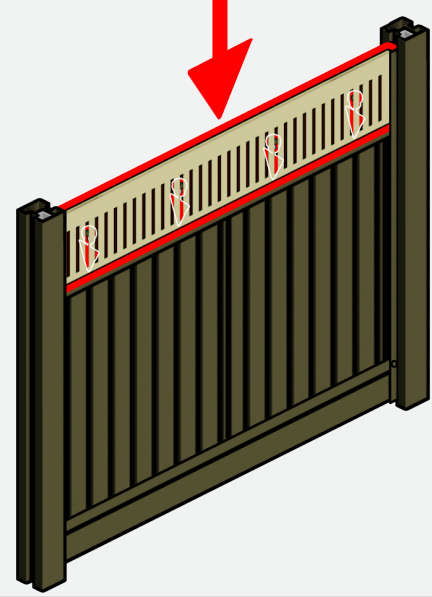
Place **Cross Rail** on top of the **Panels** working from one side to the other

9



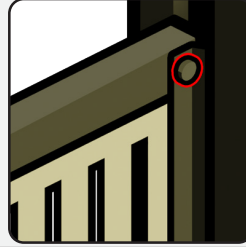
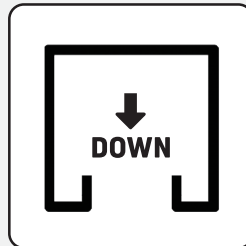
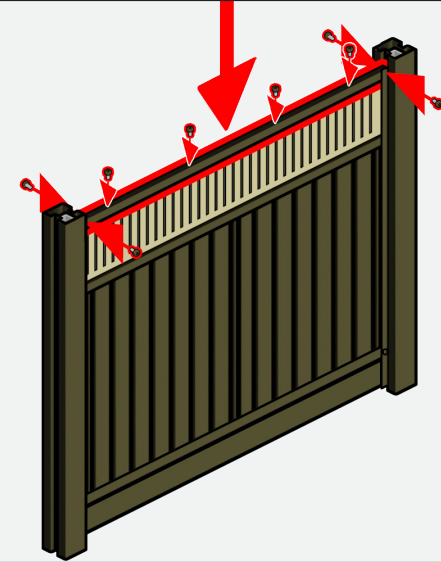
(Optional) Place **Trellis** down between **Channel Adapters** and secure to the **Top Rail** with **4 Screws** on the back

10



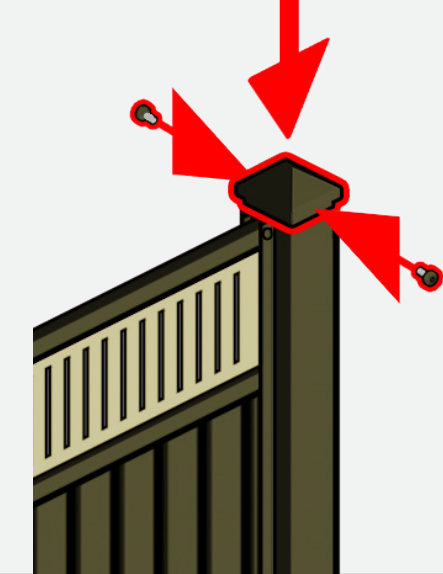
Place **Cross Rail** on top of the **Trellis** and secure with **4 Coloured Screws** through the **Channel Adapters** in the corners, and **4 coloured screws** through the **Cross Rail**

11

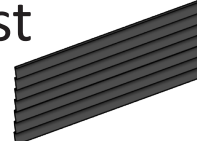


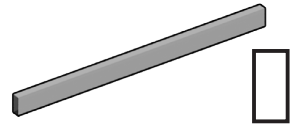
12

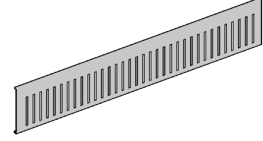
Secure **Post Caps** on top of posts with **2 Coloured Screws**

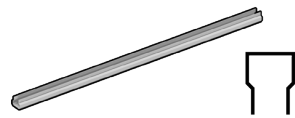


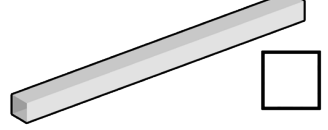
Parts List

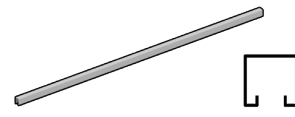
- 

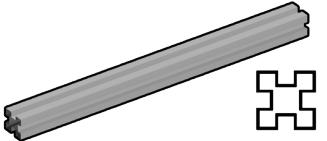
Panel
- 

Plinth (Optional)
- 

Trellis (Optional)
- 

Channel Adapter
- 

Steel Post (Optional)
- 

Cross Rail
- 

Post Cover (Optional)

*Wash off all filings and shavings with water after cutting