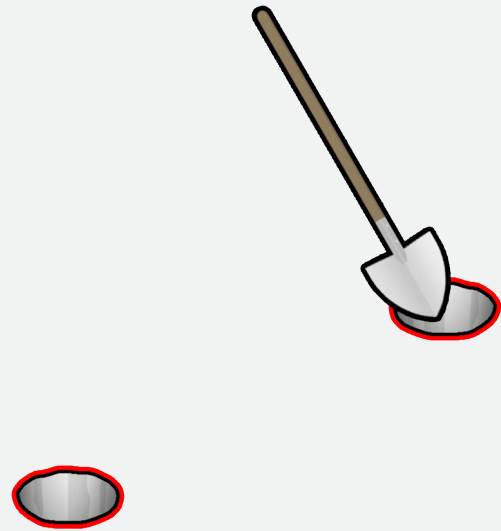


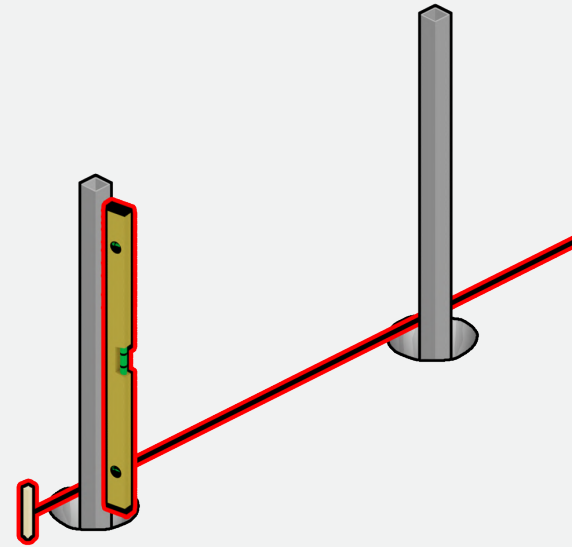
Dig **Holes 600mm** Deep

1



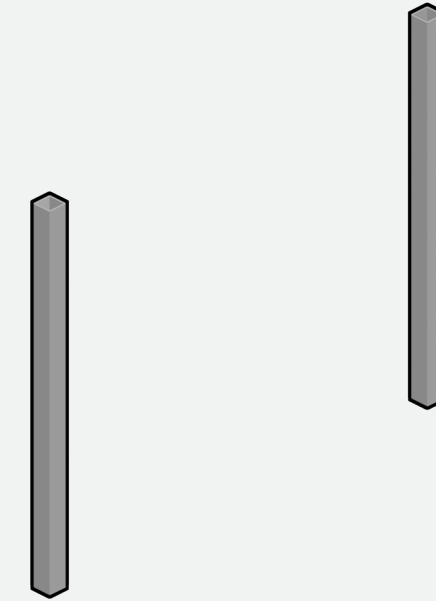
Align **Steel Post / SmartPost** in hole using a **level** and **builders line**
If using a **SmartPost**, allow the top of the post to be 100mm above the expected height of the fence for fitting the **Cap**

2



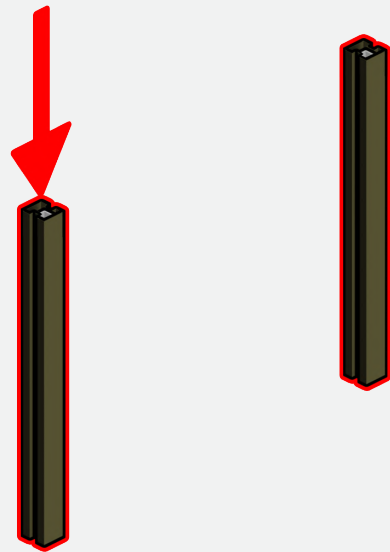
Pour **PostMix** to manufacturers specifications and allow to set

3



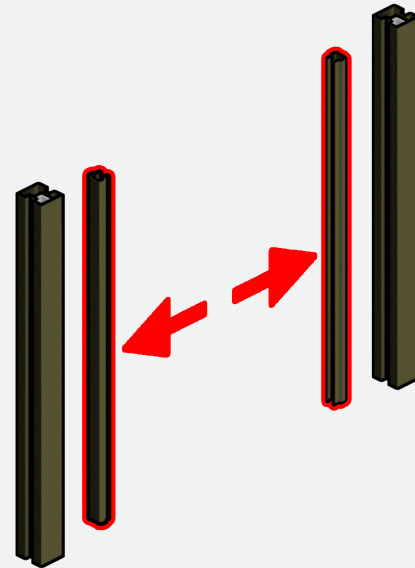
Slide down **Post Cover** (where applicable) Allow **100mm** below ground level and **100mm** over the fence height to allow for the cap

4



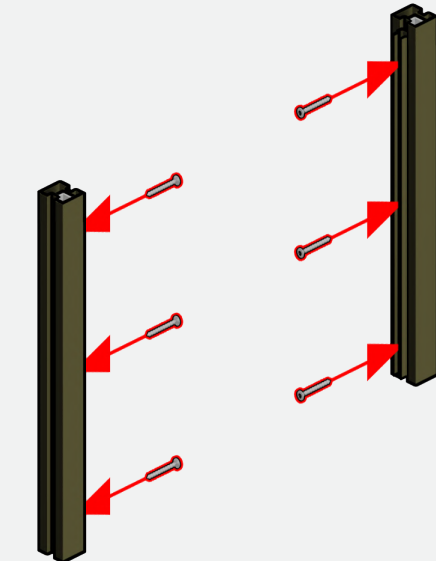
Insert **Channel Adapters** to height of fence **100mm** from the top

5



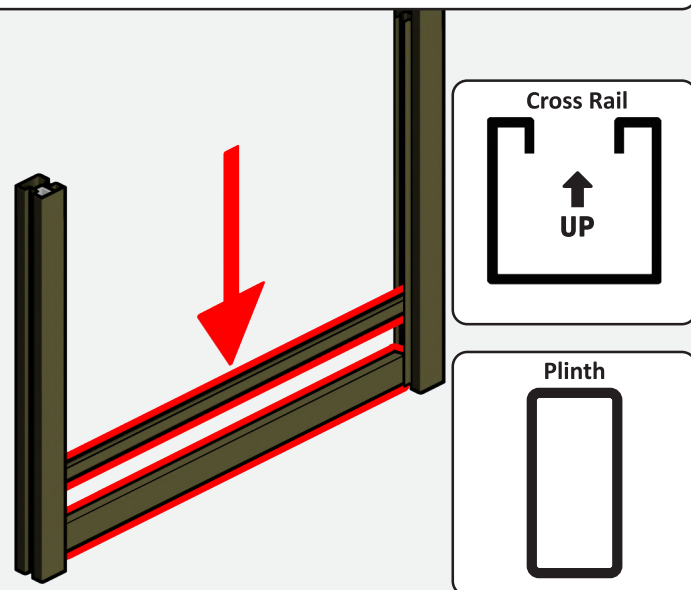
Pre-drill **3 holes** through Channel Adapters into post with **4mm** drill bit and secure using **Screws**

6



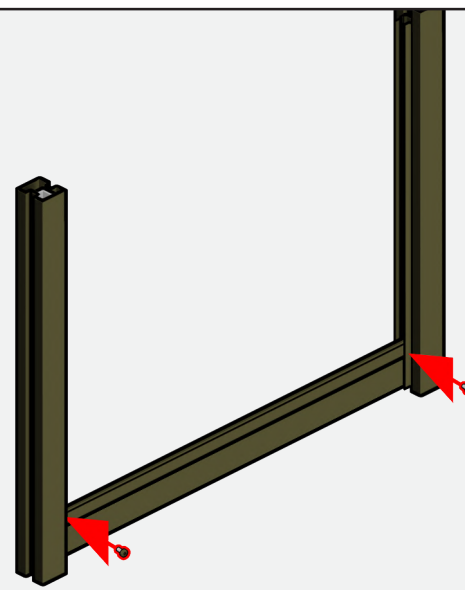
Slide the *Optional* **Plinth** followed by the **Cross Rail** into the **Channel Adapters** horizontally

7



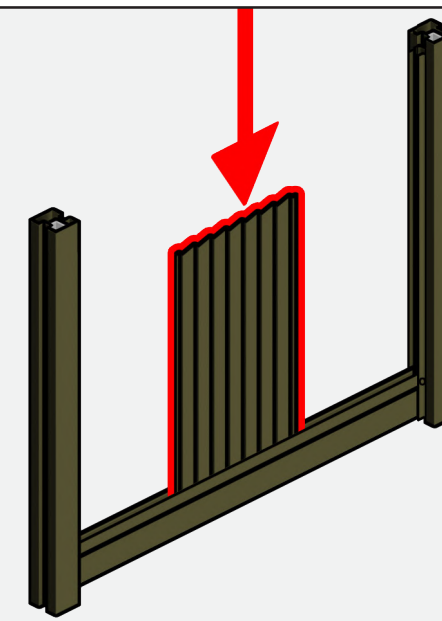
Secure by fixing a **Screw** through the **Channel Adapter** into the **Bottom Rail** both sides ensuring that it is level

8



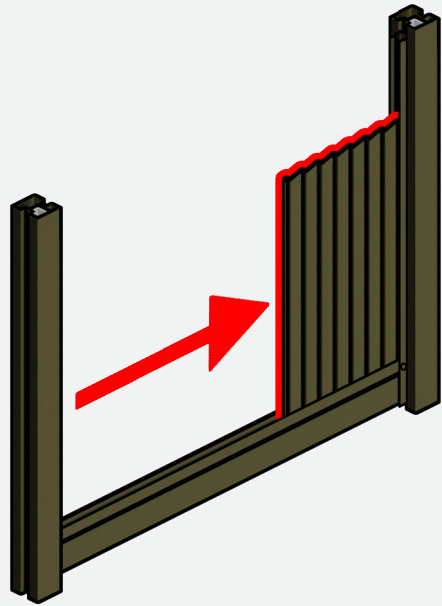
Insert the first **Panel** into the **Bottom Rail**

9



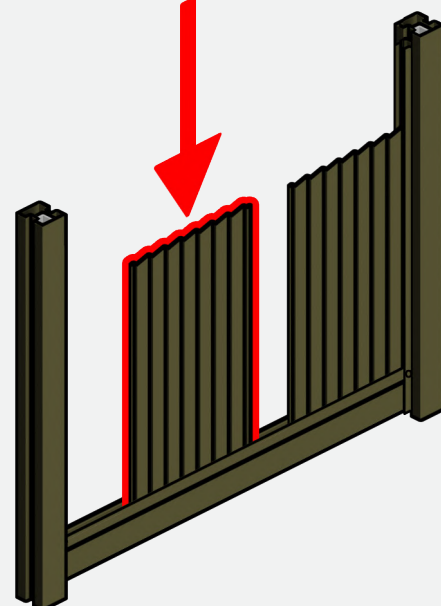
Slide the **Panel** to the side

10



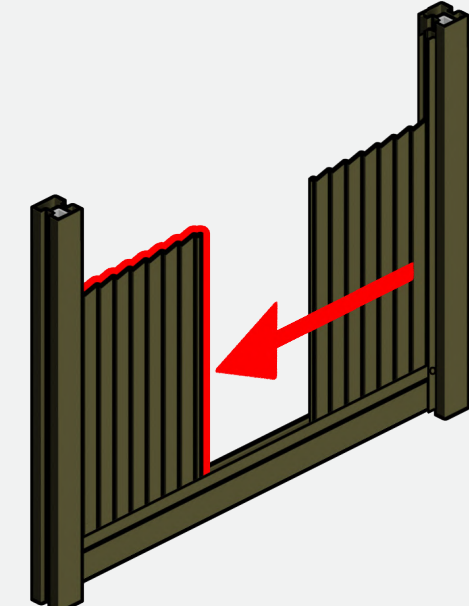
Insert the second **Panel** into the **Bottom Rail**

11



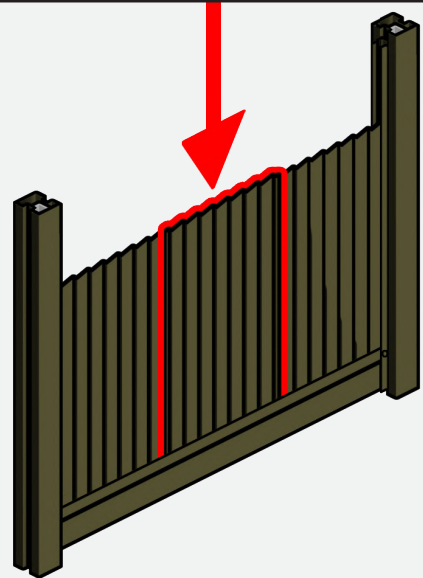
Slide the second **Panel** to the other side

12



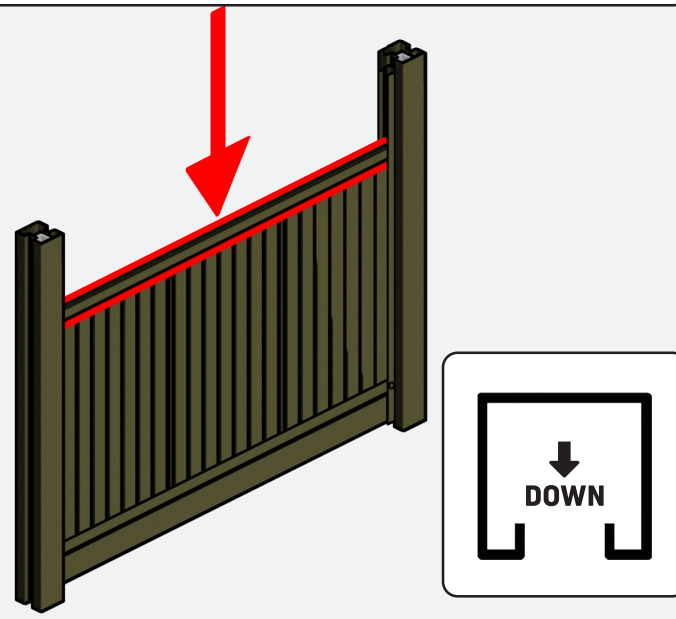
Place a **Panel** into the center and align the 3 **Panels** tightly together and align them evenly between the **Posts**

13



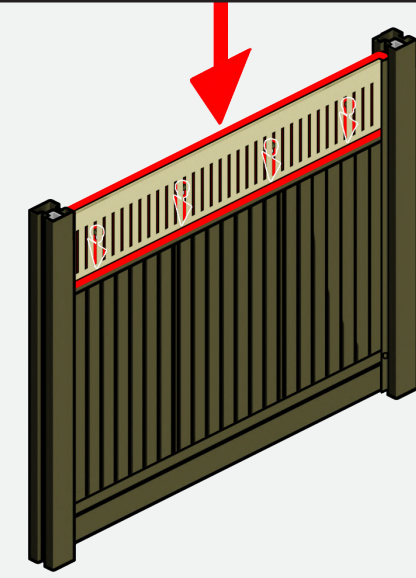
Place **Cross Rail** on top of the **Panels** working from one side to the

14



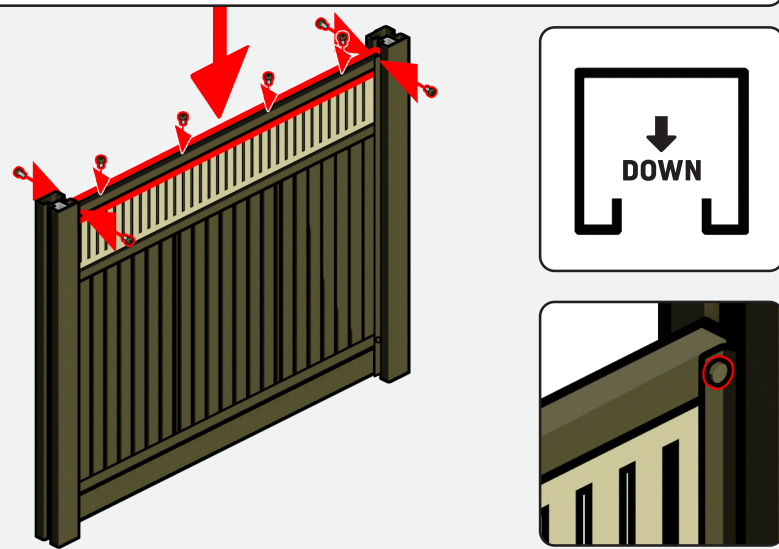
(Optional) Place **Trellis** down between **Channel Adapters** and secure to the **Top Rail** with 4 **Screws** on the back

15



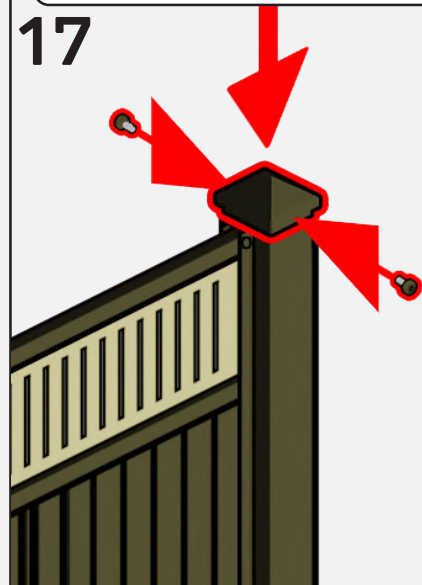
Place **Cross Rail** on top of the **Trellis** and secure with 4 **Coloured Screws** through the **Channel Adapters** in the corners, and 4 **coloured screws** through the **Cross Rail**

16

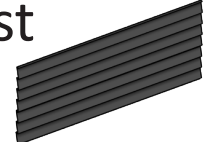


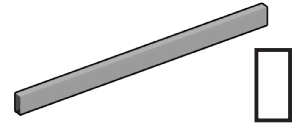
Secure **Post Caps** on top of posts with 2 **Coloured Screws**

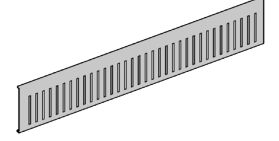
17

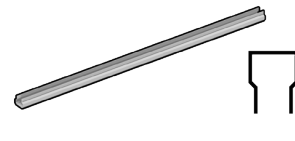


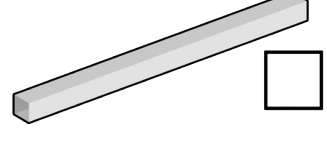
Parts List

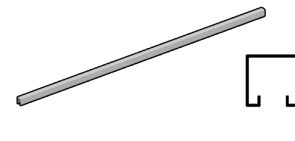
- 

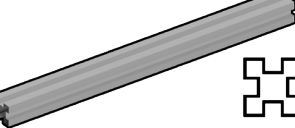
Panel
- 

Plinth (Optional)
- 

Trellis (Optional)
- 

Channel Adapter
- 

Steel Post (Optional)
- 

Cross Rail
- 

Post Cover (Optional)

*Wash off all filings and shavings with water after cutting